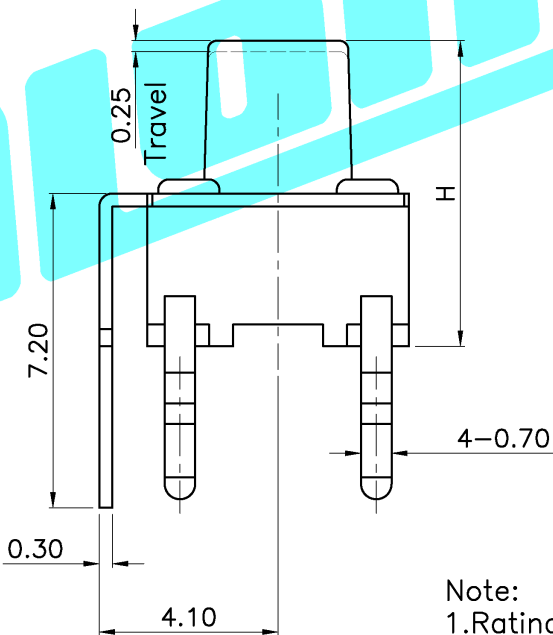
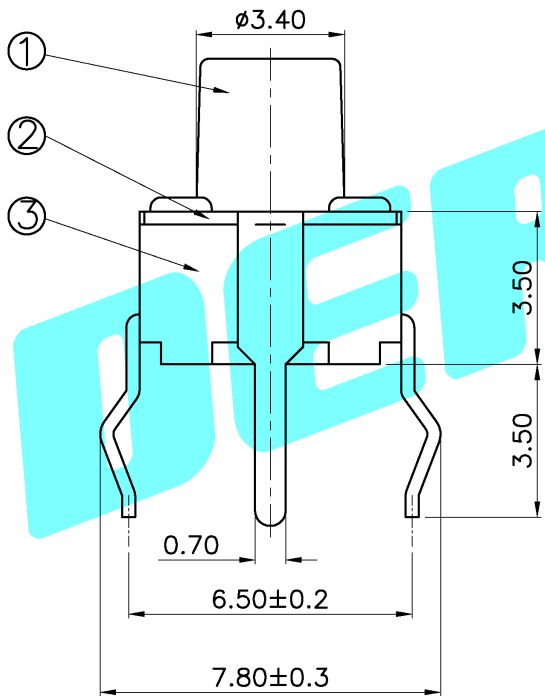


NO.1			
PART NO	H	PART NO	H
A	4.3	O	11
B	4.5	P	11.5
C	5	Q	12
D	5.5	R	12.5
E	6	S	13
F	6.5	T	13.5
G	7	U	14
H	7.5	V	14.5
I	8	W	15
J	8.5	X	15.5
K	9	Y	16
L	9.5	Z	16.5
M	10	1	17
N	10.5	2	17.5



Note:
1.Rating: 12V 50mA

NO.2	
PART NO	vigor
1	70±30
2	100±50
3	160±50
4	260±50
5	320±80
6	350±80
7	520±130

NO.3	
PART NO	MATERIAL/QTY
S	SUS/1PC
C	C5210/1PC
D	SUS/2PCS
E	C5210/2PCS

NO.4	
PART NO	NOTE
1~9	SERIAL NUMBER

NO.5	
PART NO	NOTE
B	Bulk
R	Tape&Reel

ITEM	PART NAME	QTY.	MATERIAL	FINISHING
5	Terminal	4	Brass(0.30t)	Plating silver
4	Contact	1	F.Ag/SUS	---
3	Base	1	Nylon	Black
2	Cover	1	SPCC	Plating Nickel
1	Keystoke	1	Nylon	Black

APPROVALS		DATE	DERON 德之隆® ELECTRONICS CO.,LTD	
DRAWN	G.M.Chen	2014/8/18	TITLE:	TACT SWITCHES
CHECKED			PART NO.	TC-1101DE-XXN-XXX
APPROVALS			UNIT: mm	SCALE: 1:1
TOLERANCES ARE		ANGLE	DRAWING NO.	SHEET 1 OF 1
30~以上	±0.30	±2°		PROJ: [Symbol]
10~30	±0.20			
5~10	±0.15			
~ 5	±0.10			

ECN NO.	REV.	DATE.	DESCRIPTION.	CHANGE.	CHECK.	APPRO.
	A		NEW			