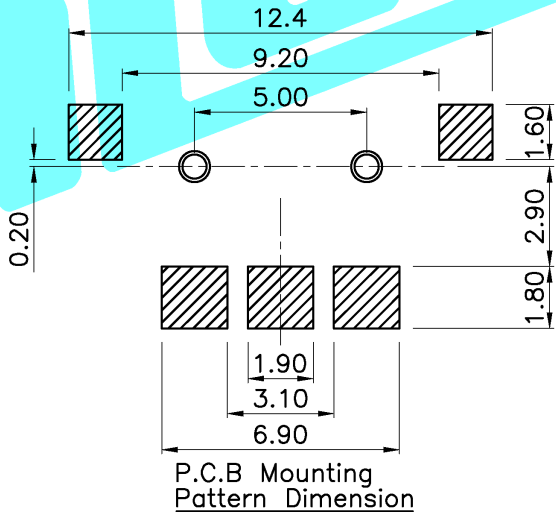


Circuit Diagram



P.C.B Mounting Pattern Dimension

NOTE:
 Operating Force:
 lever portion 80 ± 50 gf
 Push portion 205 ± 50 gf

ITEM	PART NAME	QTY.	MATERIAL	FINISHING
⑥	Contact	1	F.Ag/Brass	—
⑤	Terminal	5	Brass(0.15t)	Plating silver
④	Base	1	LCP	Black
③	Spring	1	SUS	—
②	Cover	1	SUS	—
①	Keystone	1	PA46	Black

APPROVALS			DATE	DERON 德之隆® ELECTRONICS CO.,LTD	
DRAWN	G.M.Chen		2015/3/30	TITLE:	MULTIFUNCTIONAL SWITCHES
CHECKED				PART NO.	BLQ-1531-03
APPROVALS				UNIT: mm	SCALE: 1:1
TOLERANCES ARE	30~以上	±0.30	ANGLE	DRAWING NO.	SHEET 1 OF 1
	10~30	±0.20			
	5~10	±0.15			
	~ 5	±0.10	±2°		PROJ: ⊕

ECN NO.	REV.	DATE.	DESCRIPTION.	CHANGE.	CHECK.	APPRO.
	A		NEW			