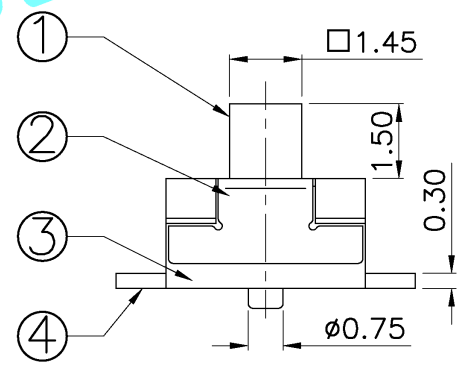
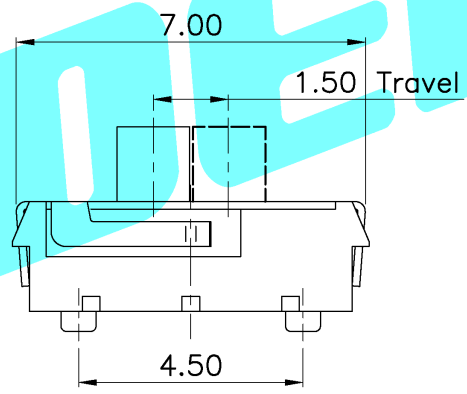


Circuit Diagram

PCB Layout(Pattern side)



Note:
 1.Operating force:130±50gf
 2.Travel: 1.50mm

⑤	Contact Spring	1	Phosphor Bronze	Ag Plated
④	Terminal	4	Brass Strip	Ag Plated
③	Base	1	LCP	Black
②	Cover	1	SUS	Natural
①	KNOB	1	NYLON	Black
ITEM	PART NAME	QTY.	MATERIAL	FINISHING

APPROVALS		DATE				
DRAWN	G.M.Chen	2014/8/18				
CHECKED			TITLE:	SLIDE SWITCHES		
APPROVALS			PART NO.	MS-22D28-G		
TOLERANCES ARE	30~以上	±0.30	ANGLE	UNIT: mm	SCALE: 1:1	SHEET 1 OF 1
	10~30	±0.20				
	5~10	±0.15				
	~ 5	±0.10	±2°	DRAWING NO.		PROJ:

ECN NO.	REV.	DATE.	NEW	CHANGE.	CHECK.	APPRO.
			DESCRIPTION.			