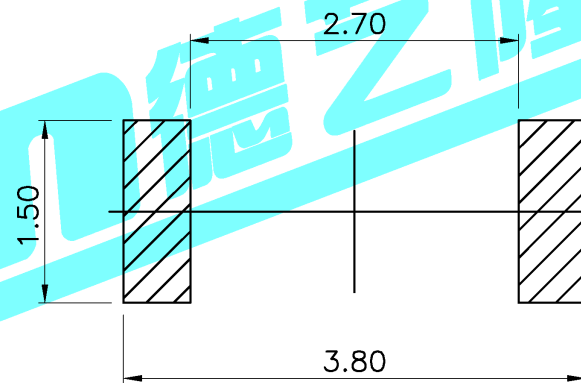
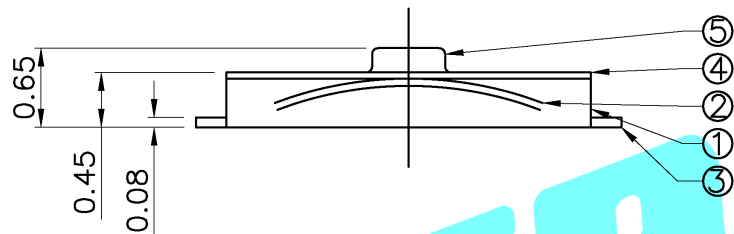


Circuit Diagram

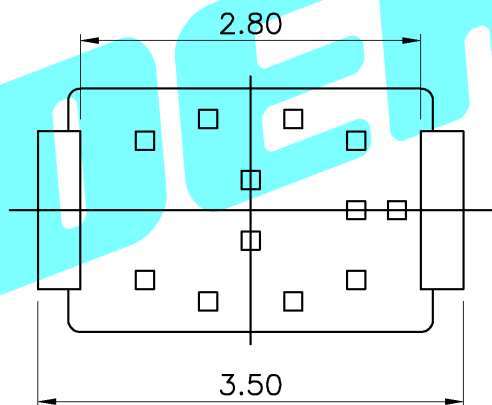
NO.2	
PART NO	NOTE
1~9	SERIAL NUMBER

NO.3	
PART NO	NOTE
B	Bulk
R	Tape&Reel



NO.1	
PART NO	vigor
1	70±30
2	100±50
3	160±50
4	260±50
5	320±80
6	350±80
7	520±130

PCB Layout (Pattern Side)



Note:
Travel:0.15±0.05mm
Vigor:200±30gf

ITEM	PART NAME	QTY.	MATERIAL	FINISHING
⑥	Cover	1	SUS	Natural
⑤	Knob	1	LCP	Black
④	Dust Cover	1	Kapton Film	Yellow
③	Contact	1	SUS	Plating silver
②	Base	1	LCP	Black
①	Terminal	2	Phosphor Bronze	Plating silver

APPROVALS		DATE	DERION 德艺隆® ELECTRONICS CO.,LTD										
DRAWN	G.M.Chen	2015/5/19	TITLE:	TACT SWITCHES									
CHECKED			PART NO.	TD-1620SR-AXN-DXX									
APPROVALS			UNIT: mm	SCALE: 1:1									
TOLERANCES ARE		<table border="1"> <tr> <td>30~以上</td> <td>±0.30</td> </tr> <tr> <td>10~30</td> <td>±0.20</td> </tr> <tr> <td>5~10</td> <td>±0.15</td> </tr> <tr> <td>~ 5</td> <td>±0.10</td> </tr> </table>	30~以上	±0.30	10~30	±0.20	5~10	±0.15	~ 5	±0.10	ANGLE	±2°	SHEET 1 OF 1
30~以上	±0.30												
10~30	±0.20												
5~10	±0.15												
~ 5	±0.10												
ECN NO.	REV.	DATE.	DRAWING NO.	PROJ:									

ECN NO.	REV.	DATE.	DESCRIPTION.	CHANGE.	CHECK.	APPRO.
	A		NEW			