

Circuit Diagram

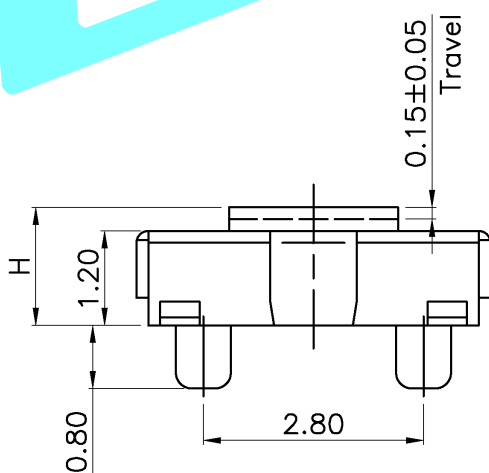
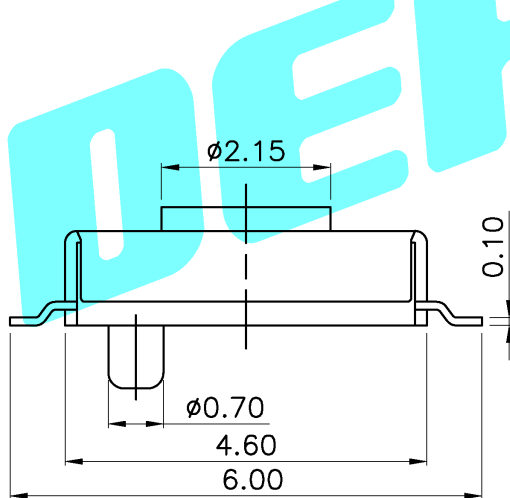
NO.1	
PART NO	H
A	1.5
B	1.6
C	2.7
D	3.4

NO.2	
PART NO	vigor
1	70±30
2	100±50
3	160±50
4	260±50
5	320±80
6	350±80
7	520±130

NO.3	
PART NO	NOTE
1~9	SERIAL NUMBER

NO.4	
PART NO	NOTE
B	Bulk
R	Tape&Reel

PCB Layout



⑤	Terminal	4	Phosphor Bronze	Plating silver
④	Contact	1	F.Ag/C5210	—
③	Base	1	PA46	White
②	Cover	1	SPCC	Plating Sn
①	Keystoke	1	PA46	White
ITEM	PART NAME	QTY.	MATERIAL	FINISHING

APPROVALS		DATE	DERION® ELECTRONICS CO.,LTD	
DRAWN	G.M Chen	2011/2/17	TITLE:	TACT SWITCHES
CHECKED			PART NO.	TD-1127SA-XXN-DXX
APPROVALS			UNIT: mm	SCALE: 1:1
TOLERANCES ARE		30~以上 ±0.30	ANGLE	PROJ.
		10~30 ±0.20	±2'	DRAWING NO.
		5~10 ±0.15		SHEET 1 OF 1
		~ 5 ±0.10		

ECN NO.	REV.	DATE.	DESCRIPTION.	CHANGE.	CHECK.	APPRO.
	A		NEW			