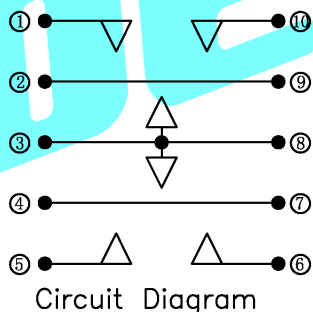


PCB Layout(Pattern side)

NOTE:
Operating Force:
lever portion 4-180 ± 50 gf
Push portion 250 ± 50 gf



	1	2	3	4	5	6	7	8	9	10
F1	○	○							○	
F2				○	○		○			
F3				○		○	○			
F4		○							○	○
F5		○	○	○		○	○	○		

⑥	Contact	6	F.Ag/SUS	Natural
⑤	Terminal	10	Brass(0.20t)	Plating silver
④	Base	1	LCP	Black
③	Cover	1	SUS	Natural
②	Axle sleeve	1	LCP	Black
①	Keystoke	1	LCP	Black
ITEM	PART NAME	QTY.	MATERIAL	FINISHING

APPROVALS		DATE
DRAWN	G.M.Chen	2015/3/30
CHECKED		
APPROVALS		

DERION 德艺隆
ELECTRONICS CO.,LTD

TITLE: MULTIFUNCTIONAL SWITCHES
PART NO. BLQ-1501-01

TOLERANCES ARE	30~以上	±0.30	ANGLE ±2°
	10~30	±0.20	
	5~10	±0.15	
	~ 5	±0.10	

UNIT: mm SCALE: 1:1 SHEET 1 OF 1
DRAWING NO. PROJ:

ECN NO.	REV.	DATE.	NEW	DESCRIPTION.	CHANGE.	CHECK.	APPRO.
---------	------	-------	-----	--------------	---------	--------	--------