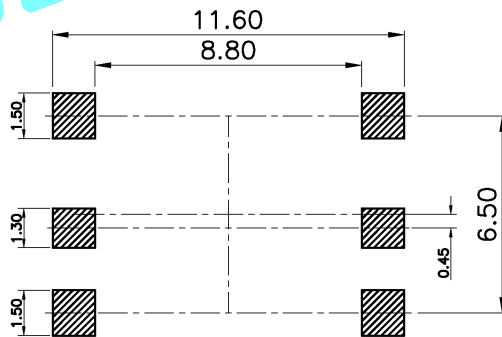
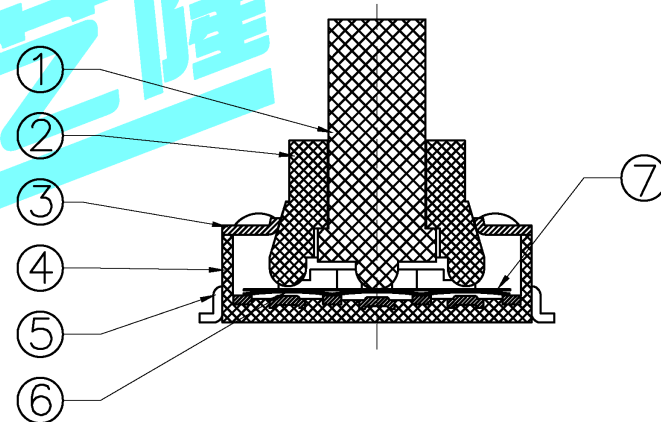
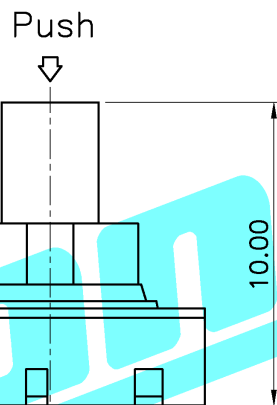
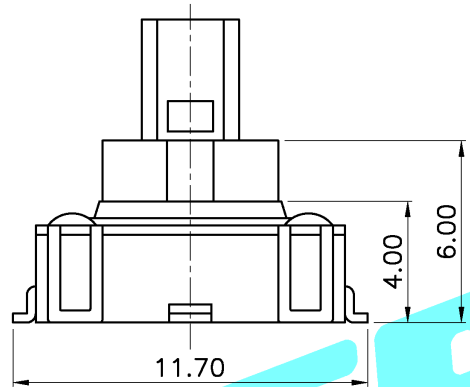


Circuit Diagram



PCB Layout(Pattern Side)

NOTE:

Operating Force:  
 4-direction  $160 \pm 35$  gf  
 center push  $300 \pm 35$  gf  
 Travel:4-direction  $5^\circ \pm 2^\circ$   
 center push  $0.20 \pm 0.1$ mm

ITEM	PART NAME	QTY.	MATERIAL	FINISHING
⑦	Dust cover	1	Kapton film	Yellow
⑥	Contact	6	F.Ag/SUS	—
⑤	Terminal	8	Brass(0.3t)	Plating silver
④	Base	1	LCP	Black
③	Cover	1	SUS	Plating Sn
②	Axle sleeve	1	LCP	Off-white
①	Knob	1	LCP	Black

APPROVALS		DATE	DERON 德芝隆® ELECTRONICS CO.,LTD	
DRAWN	G.M.Chen	2015/3/30	TITLE:	MULTIFUNCTIONAL SWITCHS
CHECKED			PART NO.	BLQ-1512-02
APPROVALS			UNIT: mm	SCALE: 1:1
TOLERANCES ARE	30~以上 ±0.30	ANGLE	DRAWING NO.	SHEET 1 OF 1
	10~30 ±0.20	±2°		
	5~10 ±0.15			
	~ 5 ±0.10			

ECN NO.	REV.	DATE.	DESCRIPTION.	CHANGE.	CHECK.	APPRO.
	A		NEW			