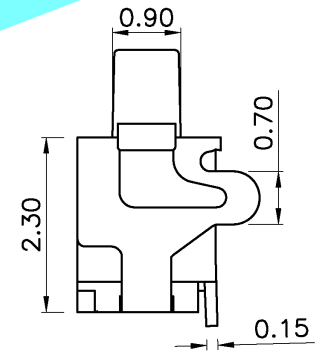
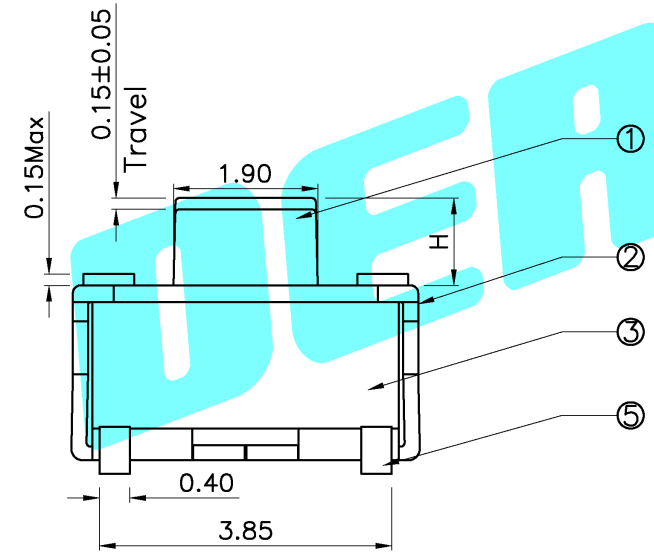


Circuit Diagram



NO.1	
PART NO	H
A	1.2
B	1.5

NO.2	
PART NO	vigor
1	70±30
2	100±50
3	160±50
4	260±50
5	320±80
6	350±80
7	520±130

NO.4	
PART NO	NOTE
1~9	SERIAL NUMBER

NO.3	
PART NO	MATERIAL/QTY
S	SUS/1PC
D	SUS/2PCS

NO.5	
PART NO	NOTE
B	Bulk
R	Tape&Reel

⑥	Dust cover	1	KAPTON FILM	——
⑤	Terminal	2	Phosphor Bronze	Plating silver
④	Contact	1	F.Ag/C5210	——
③	Base	1	PA46	White
②	Cover	1	Brass	Plating Sn
①	Keystoke	1	PA46	White
ITEM	PART NAME	QTY.	MATERIAL	FINISHING

APPROVALS		DATE
DRAWN	G.M.Chen	2015/5/19
CHECKED		
APPROVALS		

DERION 德艺隆 ELECTRONICS CO.,LTD	
TITLE:	TACT SWITCHES
PART NO.	TD-1100AP-XXN-XXX
UNIT: mm	SCALE: 1:1
DRAWING NO.	PROJ:

ECN NO.	REV.	DATE.	DESCRIPTION.	CHANGE.	CHECK.	APPRO.
	A		NEW			

TOLERANCES ARE	30~以上 ±0.30	10~30 ±0.20	ANGLE	UNIT: mm	SCALE: 1:1	SHEET 1 OF 1
	5~10 ±0.15	~ 5 ±0.10	±2'	DRAWING NO.		PROJ: